

Air Inlets

Types LEP 100/G, LEP 100/D

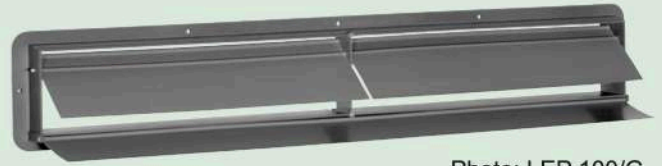
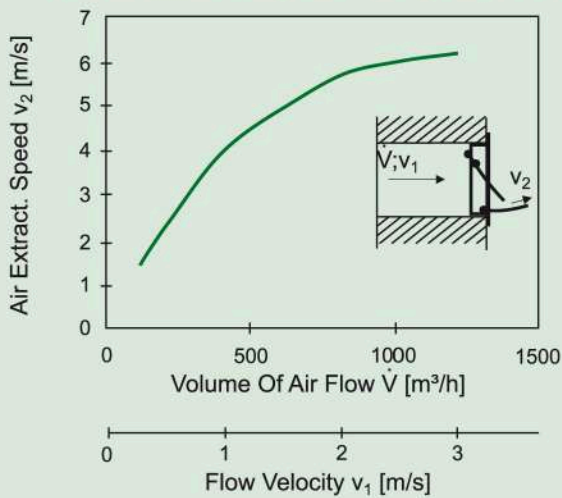


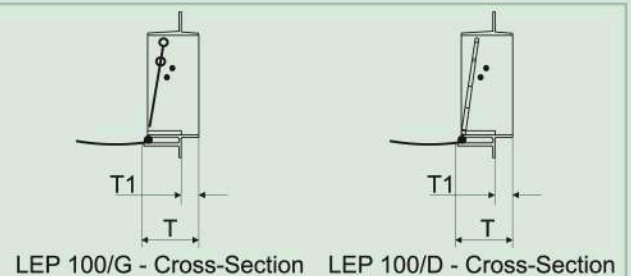
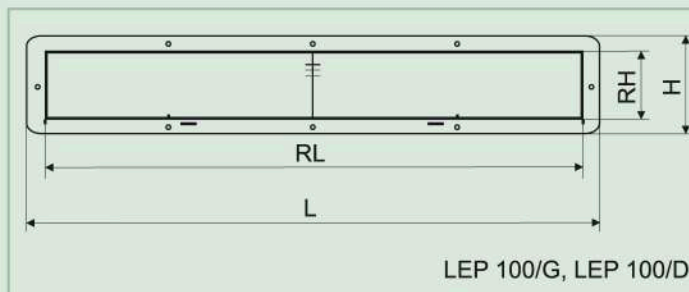
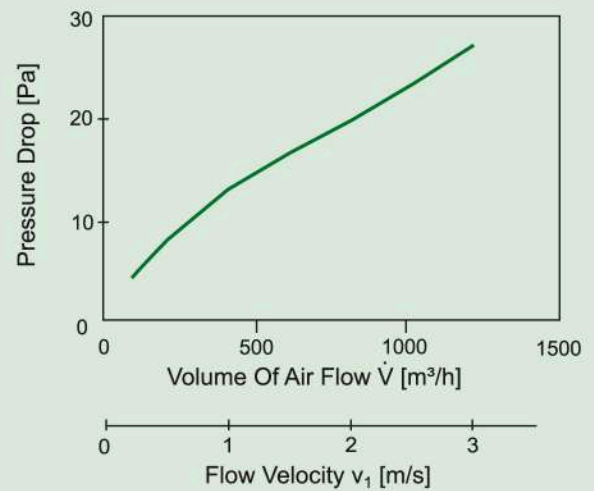
Photo: LEP 100/G

- Plastic air inlets suitable for use as air inlets in room interior
- Manually adjustable deflector blade outside the flow field directs air in the desired direction
- Type LEP 100/G: Counterbalanced louvre blades open in case of negative pressure
- Type LEP 100/D: Insulated louvre blades open in case of negative pressure; good air velocity thanks to own weight of the louvre blade
- Louvre blade geometry guarantees efficient air intake
- Manufactured of high standard ecologically friendly plastic
- Specific design guarantees high durability

Air Extraction Speed LEP 100/G, LEP 100/D



Pressure Drop LEP 100/G, LEP 100/D



Article-No.	Type	L	RL	H	RH	T	T1	Free Cross-Section	Qty./Box
21002010	LEP 100/G	1070	1020	170	125	60	24	1150 cm ²	48
21002000	LEP 100/D	1070	1020	170	125	60	24	1150 cm ²	48

Dimensions in mm

Subject to technical changes

Air Inlets

Type LEP 100/K-S

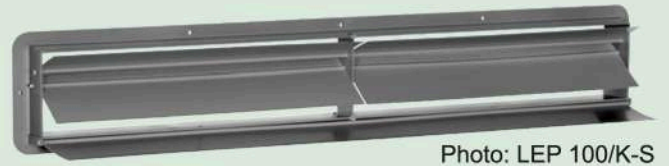
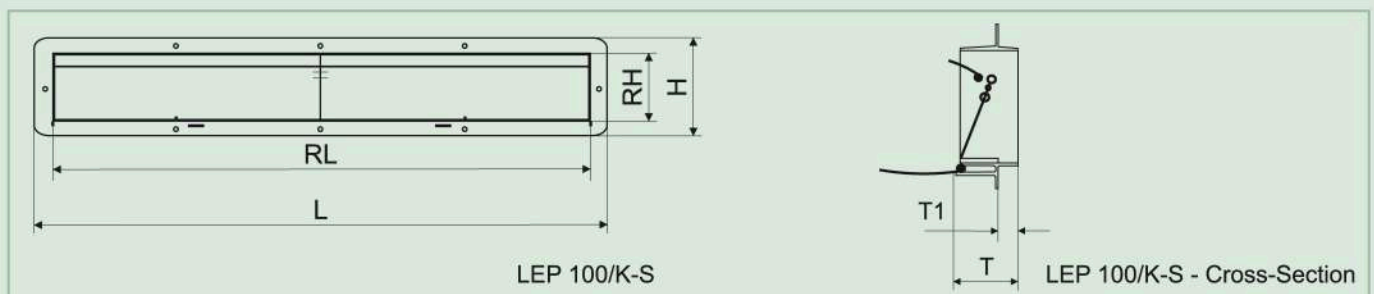
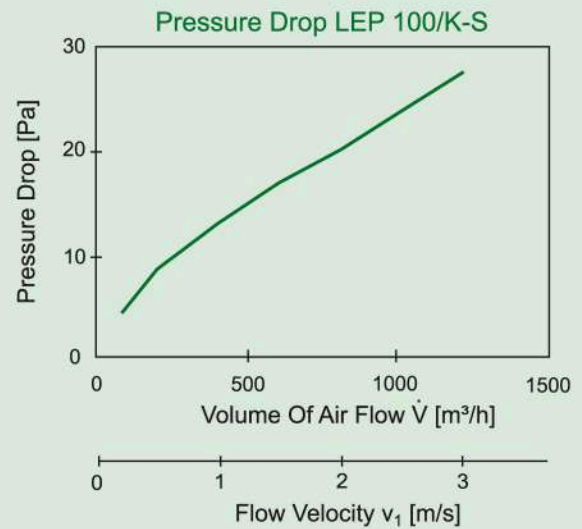
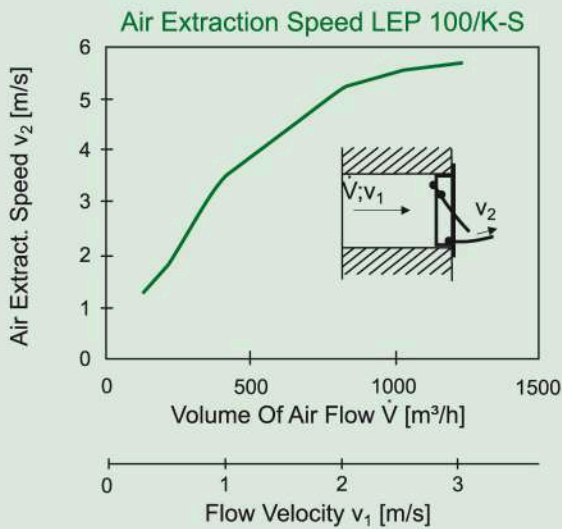


Photo: LEP 100/K-S

- Plastic air inlet suitable for use as air inlet in room interior
- Counterbalanced louvre blades open in case of negative pressure
- Manually adjustable deflector blade outside the flow field directs air in the desired direction
- Manually adjustable louvre blade for a minimum ventilation
- Louvre blade geometry guarantees efficient air intake
- Manufactured of high standard ecologically friendly plastic
- Specific design guarantees high durability



Article-No.	Type	L	RL	H	RH	T	T1	Free Cross-Section	Qty./Box
21002020	LEP 100/K-S	1070	1020	170	125	60	24	1150 cm ²	48

Dimensions in mm

Subject to technical changes

Ceiling Diffusers

Types QD 1, QD 2, QD E

- Plastic ceiling-mounted air diffusers suitable for use as air inlets and for the distribution of fresh air in stables and other rooms requiring ventilation
- Counterbalanced louvre blades open in case of negative pressure
- The air-deflecting plate is an enclosed heat insulated plastic plate
- Special smooth surface ensures that no frictional resistance occurs with entry of air
- Louvre blade geometry guarantees efficient air intake
- Manufactured of high standard ecologically friendly plastic
- Specific design guarantees high durability
- Suitable for ceiling mounting and for assembly on air ducts



Photo: QD 1

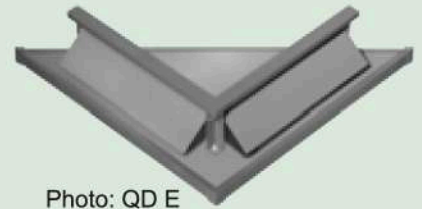


Photo: QD E

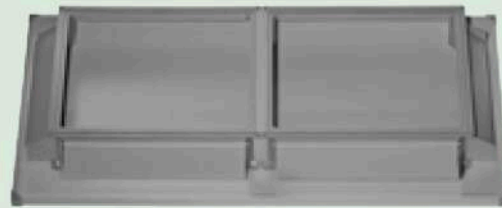
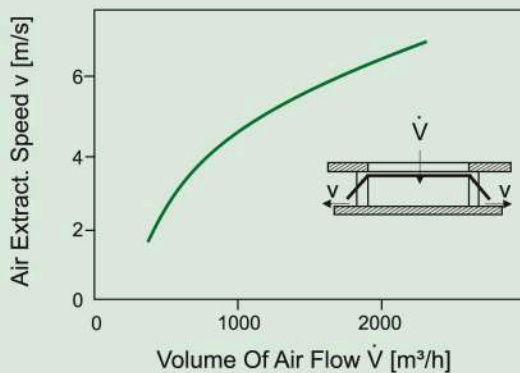


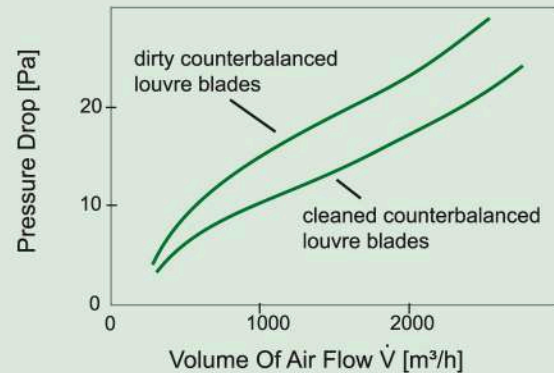
Photo: QD 2

- Problem-free mounting with supplied plastic screws
- Assembly with a Rotomix-Fan (Type RVU) is possible

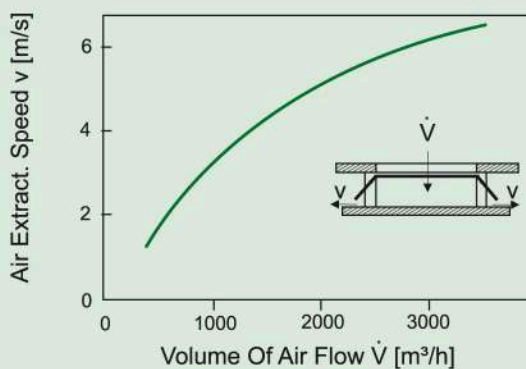
Air Extraction Speed QD 1



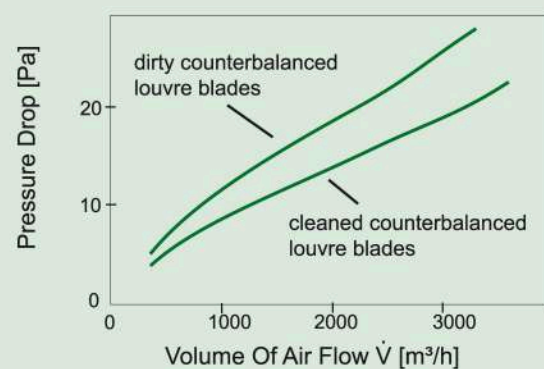
Pressure Drop QD 1



Air Extraction Speed QD 2

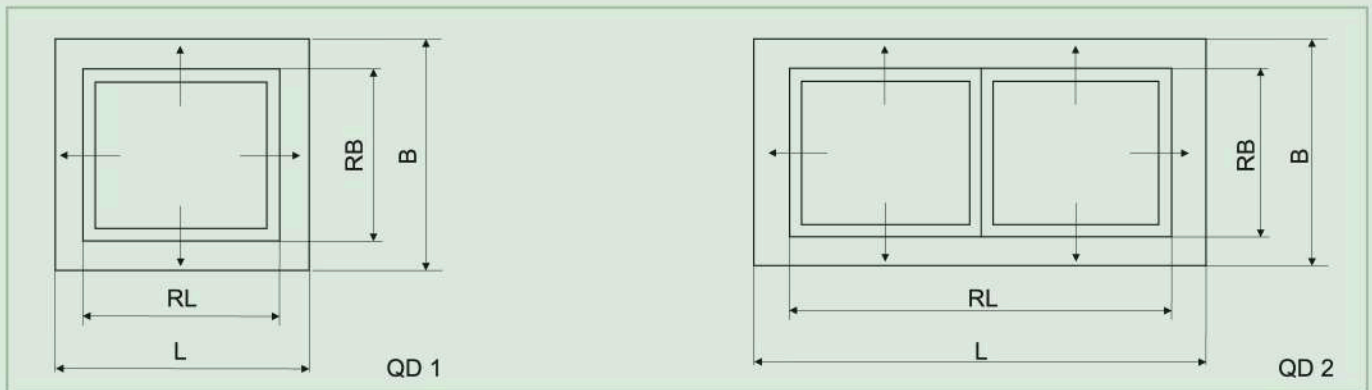
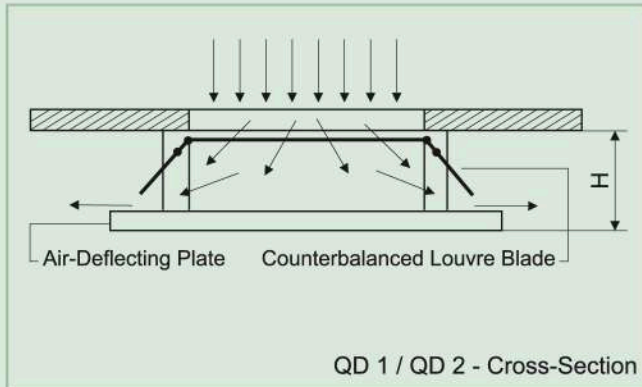


Pressure Drop QD 2

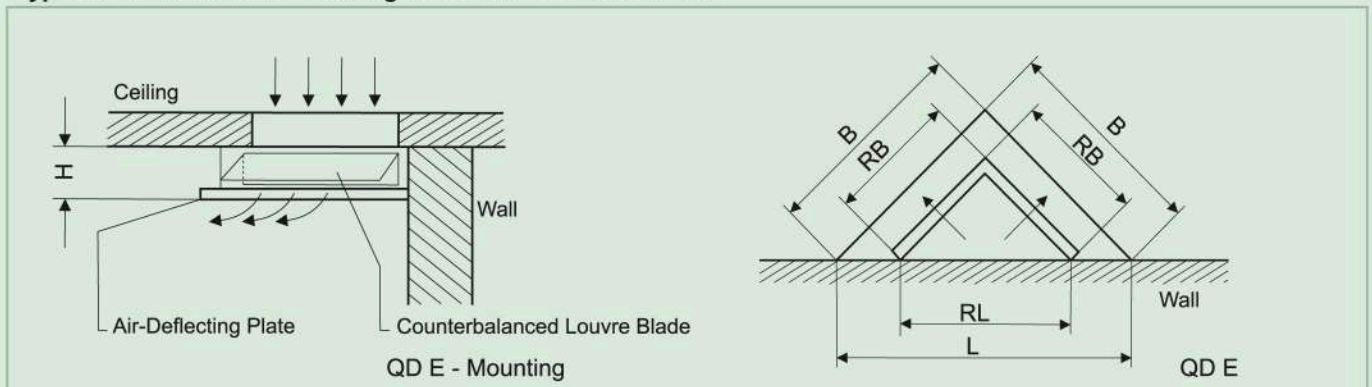


Ceiling Diffusers

Types QD 1, QD 2, QD E



Type QD E: Suitable for mounting on the wall in narrow rooms



Article-No.	Type	L	RL	B	RB	H	Free Cross-Section	Qty./Box
21001190	QD 1	705	524	623	448	163	1900 cm ²	7
21001191	QD 1*	705	524	623	448	163	1900 cm ²	7
21001200	QD 2	1228	1044	628	448	163	2950 cm ²	12
21001180	QD E	880	580	625	442	168	890 cm ²	14

Dimensions in mm
 *with profile for shut off

Subject to technical changes